

AB COCKS MABC

MABC IV KOR-AF, PN40



Product details

- » Pressure gauge cock
- » PN 40
- » Cylindrical plug
- » Brass IV
- » Elastic packing sleeve KOR-AF
- » With hand lever

General features

- » 90°-rotation ensures immediate opening and closing procedure
- » Hand operation enables throttling, therefore usage in blow-down lines possible
- » Simple maintenance:
The packing sleeve can be replaced within minutes with the cock staying in the line
- » No jamming caused by corrosion

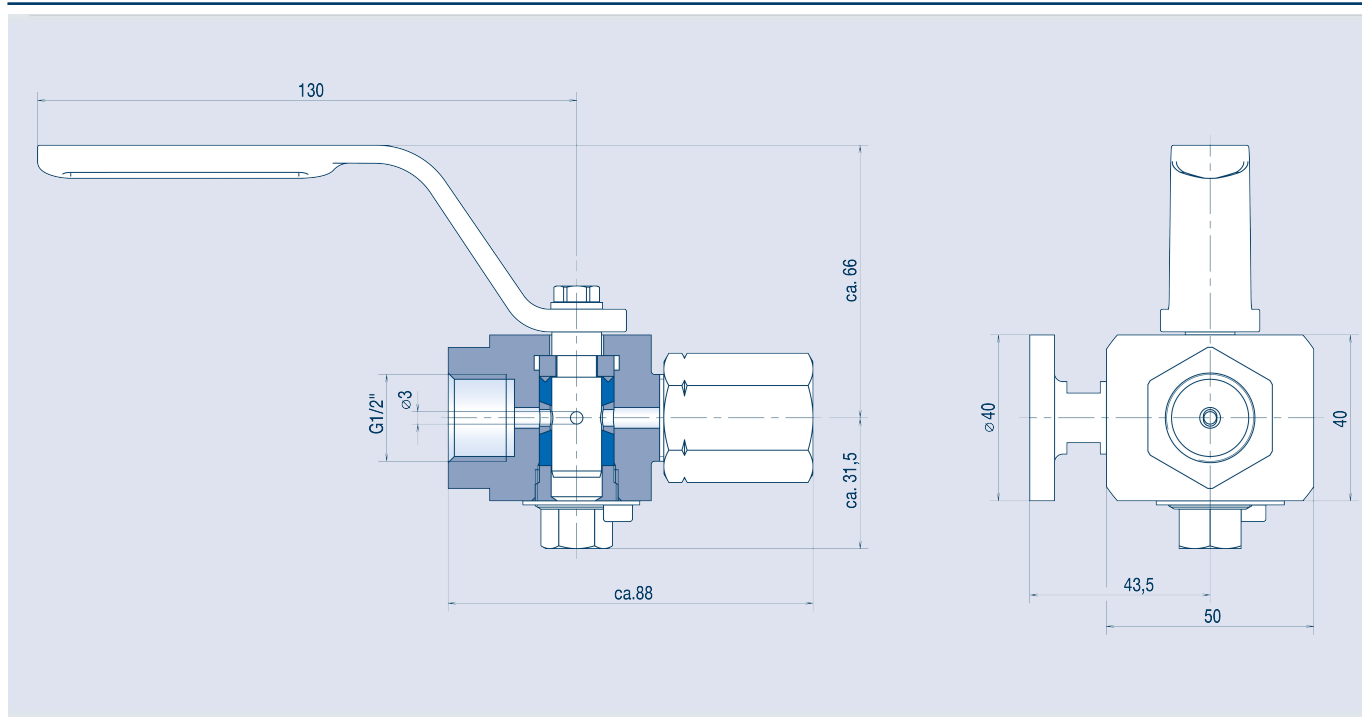
Connections

Left side: G1/2"
Right side: clamping sleeve G1/2"
Pressure gauge: G1/2" test flange

Certificates VDI 2440

Temperature IV-KOR-AF -10°C to +250°C, PN40

Dimensions Body length 88 mm



Application range

District Heating | Processing industry | Automation | Geothermal energy | Shipbuilding industry | Diesel engines | Oil & Gas | Compressed-air supply | Instrumentation & Control | Electric supply | Energy generating companies

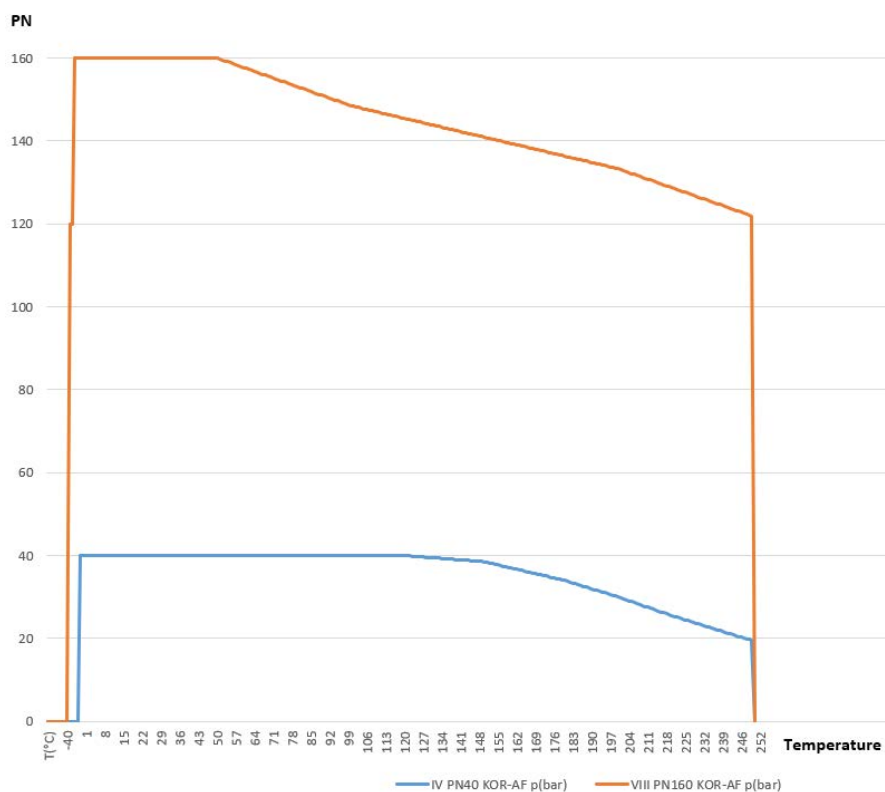
The packing sleeve

Under pressure the lamellas of the elastic packing sleeve are pressed against the body wall and thereby an excellent seal is achieved.
The KOR-KAF is suitable for operating temperatures up to 250°C.



AB COCKS MABC

Pressure and temperature ranges / Parts list



Parts list

Pos.	number	name
1	1	Body
2	1	Packing sleeve
3	1	Cock plug
4	2	Split ring
5	1	Tightening nut
6	1	Locking disc
7	1	Fillister head screw
8	1	Disc
9	1	Hexagon head screw
10	1	Hand lever
11	1	Test flange
12	1	Tightening screw

